

Tiltall

Tiltall AK/ CK Series Tripods

3 & 4-section aluminum/ carbon tripod

AK/ CK- 113/114/213/214/313/314/413/414

Features include:

- 3 & 4-section legs with non-slip rubber leg locks
- Made of aluminum/ carbon and aircraft alloy materials
- 3-position leg angle adjustment
- Grooved center column with spring-loaded weight hook
- Rubber feet with retractable stainless steel spikes
- Three foam leg covers offer over-the-shoulder carrying comfort

**A STRONG, LIGHTWEIGHT TRIPOD
PERFECT FOR POINT-AND-SHOOT AND
DSLR CAMERAS.**



Specifications

- * with center column retracted
- ** with center column extended

Note: Weight not includes ball head.
Height specifications listed are for tripod only.

Model No.	Section	Max. H (mm)	Extended (mm)	Folded (mm)	Min. H (mm)	Weight (kg)	Max. D (mm)	Model No.	Section	Max. H (mm)	Extended (mm)	Folded (mm)	Min. H (mm)	Weight (kg)	Max. D (mm)
CK-113	3	1350	1120	525	305	1.02	22	AK-113	3	1350	1120	525	305	1.20	22
CK-114	4	1330	1110	455	305	1.03	22	AK-114	4	1330	1110	455	305	1.19	22
CK-213	3	1485	1265	580	310	1.27	25.5	AK-213	3	1485	1265	580	310	1.52	25.5
CK-214	4	1500	1280	500	310	1.30	25.5	AK-214	4	1500	1280	500	310	1.52	25.5
CK-313	3	1480	1240	570	325	1.53	29	AK-313	3	1480	1240	570	325	1.79	29
CK-314	4	1550	1320	520	325	1.58	29	AK-314	4	1550	1320	520	325	1.86	29
CK-413	3	1780	1380	620	495	1.84	32.5	AK-413	3	1780	1380	620	495	2.15	32.5
CK-414	4	1765	1525	570	325	1.87	32.5	AK-414	4	1765	1525	570	325	2.22	32.5

*The maximum load rating listed above was determined by a series of tests in a controlled environment. Although conservative, this rating should be used only as a guideline. Our tests found the Tiltall Tripods exceeded this rating for most applications. Care should always be taken when considering shooting location, or the use of long lenses or heavy equipment. For additional stability, Tiltall recommends the use of additional weight mounted to the center column hook whenever possible.

Contents: One three or four-section tripod, and a carrying case with shoulder strap.

www.tiltalltripod.com

Tripod Safety Tips

- Do not exceed maximum weight load.
- Always engage safety locks when using tripod.
- Remove camera before transporting tripod.
- Do not leave tripod unattended.
- Tripod does not require lubrication, but if required, use lithium grease only on threads of leg collars.
- Clean with mild detergent and a soft cloth. Remove dust and sand from locking threads and sliding segments.
- If tripod is found to be or become defective from normal use, please contact your nearest Tiltall service and repair center.

TILTALL TRIPOD FIVE-YEAR WARRANTY

Five Year Parts-and Labor Warranty

Tiltall warrants these tripods to be free from defects in material and workmanship for five years from date of purchase. If this product is found to be defective in material or workmanship, Tiltall will, at its option, repair or replace it without charge, subject to the following limitations and exclusions:

- Warranty extends to the original purchaser only and is not transferable or assignable.
- Returned product must be accompanied with proof of purchase if online registration is not available.
- Warranty shall not apply to any product that has, in Tiltall's judgment, been subject to misuse, abuse, negligence, accident or unauthorized repair.

Tiltall's obligation is limited to repair or replacement of the tripod and/ or head only, and no one is authorized to assume any obligation not in accordance with the above. Should service be necessary under this warranty, please contact us to receive the required Return Merchandise Authorization Number(RMA#) and return the product with the freight prepaid to the address provided at that time.

Collect shipments will not be accepted. Product will be repaired or replaced and returned to you prepaid. For technical assistance or to place an order, please call.

www.tiltalltripod.com

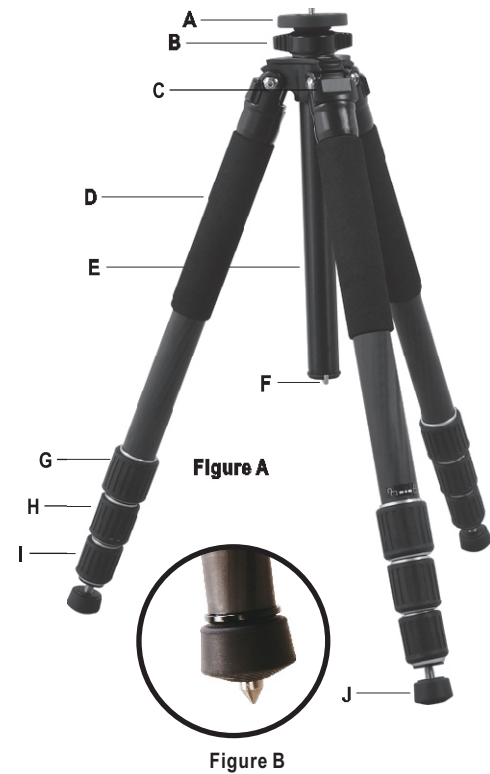


Figure A

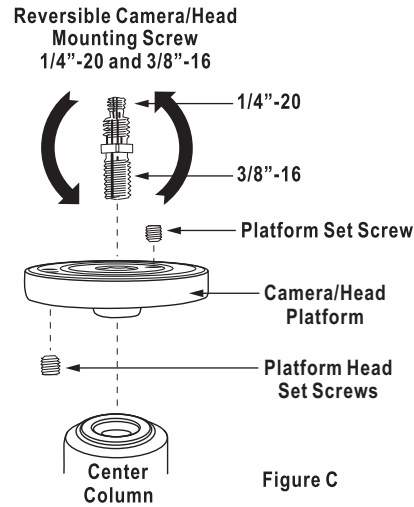
Figure B

Leg Extension And Setup

One leg at a time, unlock the upper rubber grip leg lock (G) by rotating in the direction indicated on the leg sticker. Pull out the upper telescoping leg section all the way and relock leg by turning the grip in the opposite direction. Repeat until upper section of all three legs are fully extended. If additional height adjustment is required, unlock the middle (H) and lower (I) rubber grip leg lock of each leg individually and extend sections to desired length.

Next, using both hands, pull each leg away from the grooved center column (E) until it stops into position on the adjustable angle leg lock (C) as shown in Figure A. Visually confirm your equipment is properly leveled. You may need to readjust the leg if possible.

CAUTION: Care should always be taken when considering shooting locations, or the use of long lenses or heavy equipment. For additional stability, Tiltall recommends the use of additional weight mounted to the center column hook (F) whenever possible.



Leg Angle Adjustment

Each leg can be set to three different angles of spread. Pull each leg away from the center column until it is seated into the angle of leg. Push leg in slightly while holding the closed cell foam grip (D). Next, pull out the adjustable angle leg lock (C) using your hand and begin to pull the leg outward. Continue pulling leg until the adjustable angle leg lock seats into the second position. To return to the original position, simply push leg back in towards center column and push the leg lock snap in place. Pull leg out slightly to fully seat into position.

Note: The legs are never fully locked and can be moved inward at any time, regardless of the angle adjustment position setting.

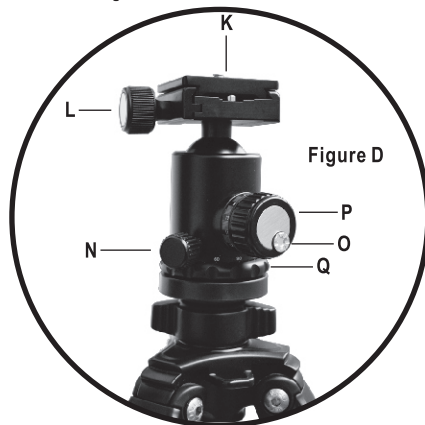


Figure D

Tiltall AK / CK Tripod with ball head(option)

Center Column Height Adjustment

To release and raise the center column, simply loosen the center column lock ring (B) by turning counterclockwise and lift up on center column to desired height. Relock center column by turning the center column lock ring clockwise.



Low-angle Shooting

To use tripod in the standard low-angle position (as shown at right), simply pull the three legs out and lock in their widest-angle setting. Loosen the center column lock ring (B) by turning counterclockwise. The center column should move up-and-down freely. Position tripod accordingly and let the center column rest on the ground to provide additional support. Finally, tighten the center column lock ring by turning clockwise.



Extreme Low-angle Shooting

This tripod is equipped with a removable and reversible groove center column (E) allowing for extreme low-angle positioning of your camera on the tripod. Start by removing the spring-loaded weight hook (F) by turning counterclockwise. Set aside. Loosen the center column lock ring (B) by turning counterclockwise. Then remove the center column from tripod by pulling upward. Next, replace the center column from the underneath the tripod, making sure the column's groove is properly aligned. Tighten the center column lock ring by turning clockwise. Then, replace the spring-loaded weight hook on the center column by turning clockwise. And finally, position and lock the tripod legs into the widest-angle setting that is practical for your application.

Additional Features

Each of the three tripod legs feature rubber feet with retractable stainless steel spikes, as shown in Figure B. Depending on your shooting conditions, you may need to switch back-and-forth. Simply turn the rubber feet clockwise or counterclockwise.

Attaching Camera To The Quick-Release (QR) Plate

First remove the QR plate (K) from the head by rotating the locking knob (L) counterclockwise until it stops. Mount the QR plate (K) to the camera by screwing the 1/4"-20 male threaded mount into the camera's base-plate mount using the pop-up handle on the under side of QR plate. Before fully tightening, be sure that camera is parallel to the plate with the lens side of the camera. When fully tightened, rotating clockwise the locking knob against QR plate.



Mounting Camera To The Ball Head

With camera facing forward, insert the QR plate under the lip on the ball head and put down the camera then rotating the locking knob (L) clockwise until fully tighten, holding plate in place. To remove the camera from the ball head, simply release the locking knob counterclockwise until it stops and, while holding the camera securely in one hand, and released from head.



Using The Ball Head (Figure D)

The ball head is very compact and easy to use, and offers solid camera support with fluid smooth movements. It features a single ball-locking knob (P) with an adjustable drag control screw (O), and a separate pan-control lock (N). The calibrated panning scale (Q) allows you to reference any movements. There is a convenient slot on the ball head that allows you to change your camera from horizontal to vertical format. To alter the position of your camera, simply turn the signal ball-locking knob counterclockwise. The further you turn the knob, the looser the friction on the ball becomes, allowing you quicker and larger movements.

You can increase or decrease the amount of friction on the ball with the adjustable drag control screw. First, turn the single ball-locking knob (P) clockwise to fully lock ball. Then rotate the adjustable drag control screw (O) clockwise to increase friction, or counterclockwise to decrease. Test your setting by loosening the single ball-locking knob. you may need to repeat this procedure to find the desired setting when changing equipment. **Noted:** Always support the camera while loosening the signal ball locking knob. Be sure the signal ball-locking knob is fully locked after setting the adjustable drag control screw. Do not overtighten knobs.